

**NEMA 4X - ENCLOSURE  
19" RACKMOUNT - 18U HEIGHT  
FLOOR MOUNT**

**36" H x 48" W x 36" D  
2 DOOR DESIGN**

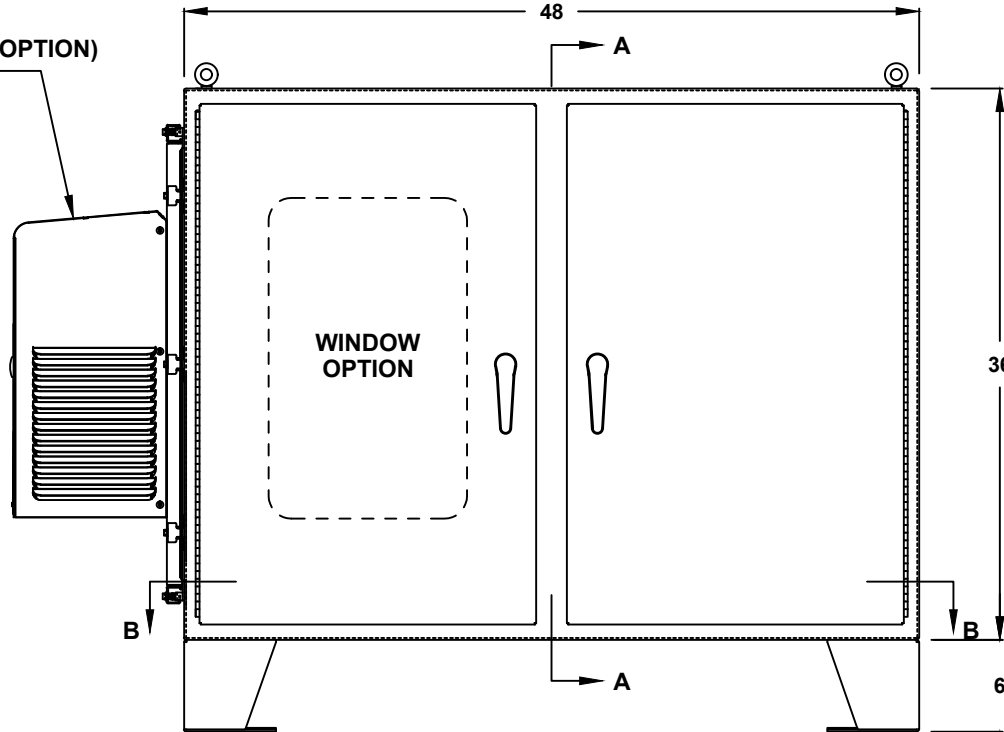
**STAINLESS STEEL**



FILE NUMBER: E507642

AIR CONDITIONER (OPTION)  
REF. TO PAGE 2

- ENCLOSURE MATERIAL**
- 304 STAINLESS STEEL (S4)
  - 316 STAINLESS STEEL (S6)



**FRONT VIEW**

- LIFTING EYES**
- WELDED PADEYES (STANDARD)
  - REMOVABLE PADEYES
- \*WINDOW OPTIONS**
- CLEAR WINDOW
  - TINTED WINDOW
  - TEMPERED GLASS
  - NOT REQUIRED
- DOOR HANDLES**
- PADLOCK PROVISION (STANDARD)
  - KEYLOCK (OPTION)
- FLOOR KIT**
- 6" HT. (STANDARD)
  - 8" HT.
  - 10" HT.
  - 12" HT.
  - CUSTOM \_\_\_\_\_

ALL DIMENSIONS ARE ESTIMATED IN INCHES  
AND MAY VARY DUE TO SELECTED OPTIONS.

\_\_\_\_\_  
COMPANY NAME

\_\_\_\_\_  
APPROVED (PRINTED NAME)

\_\_\_\_\_  
SIGNATURE

\_\_\_\_\_  
DATE

\*NOTE: UL & NON-UL OPTIONS  
AVAILABLE

# 36" H x 48" W x 36" D 2 DOOR DESIGN

**A/C MATERIAL (EXTERIOR)**

- 304 STAINLESS STEEL
- 316 STAINLESS STEEL
- OTHER \_\_\_\_\_

**AIR CONDITIONER**

- 1000 BTU
- 1500 BTU
- 2000 BTU
- 3000 BTU
- 4000 BTU
- SPECIFY \_\_\_\_\_
- NOT REQUIRED

**A/C VOLTAGE/ HZ**

- 115 VOLTS
- 230 VOLTS
- 480 VOLTS
- 60 HZ
- 50 HZ
- 48 VDC (CS011 A/C ONLY)

**A/C INTEGRATED HEATER**

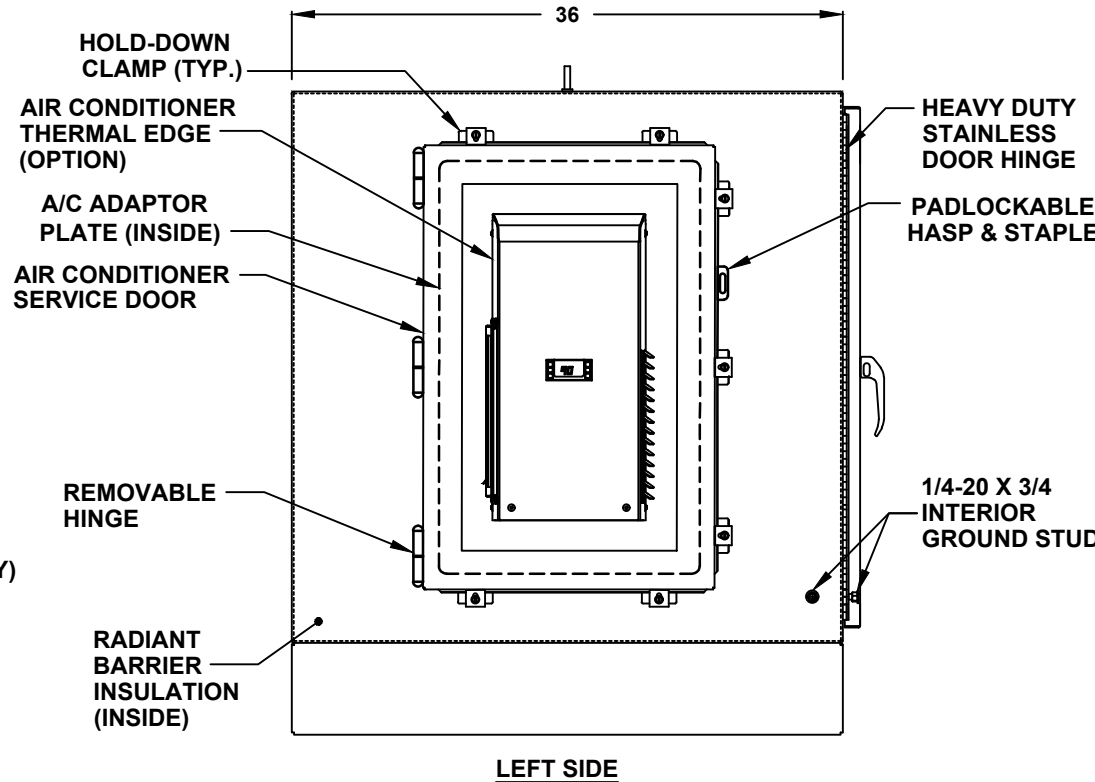
- 350 WATTS (CS011 A/C ONLY)
- 500 WATTS
- 1000 WATTS
- EXTERNAL HEATER

**ADDITIONAL A/C OPTIONS**

- CORROSION PROTECTION PACKAGE
- DRY CONTACT (OUTPUT SIGNAL)
- 2" DEEP FILTERS
- PROXIMITY SWITCH (ON/OFF)

**AIR CONDITIONER- SCADA**

- MODBUS RTU 485 (2 WIRE)  
REMOTE NETWORK  
ETHERNET CONNECTION
- MODBUS GATEWAY  
ADD-ON



**SUN REFLECTIVE SOLUTION**

- TOP SUNSHIELD COVER

**THERMAL SPECIFICATIONS**

- OUTSIDE (AMBIENT) \_\_\_\_\_ °F
- INTERIOR TEMP. \_\_\_\_\_ °F
- HEAT LOAD (WATTS) \_\_\_\_\_
- SUN / SHADE \_\_\_\_\_

**ENCLOSURE INSULATION**

- 1/2 RADIANT BARRIER (STANDARD)
- 3/4 RADIANT BARRIER
- 1 RADIANT BARRIER
- NOT REQUIRED

**A/C SERVICE DOOR**

- INSTALL A/C SERVICE DOOR
- NOT REQUIRED

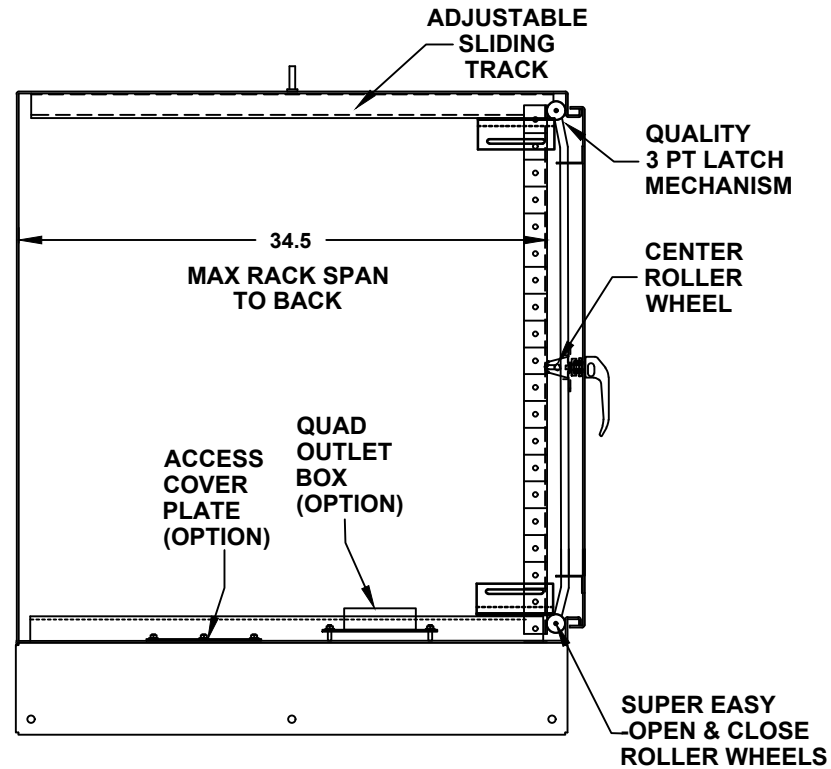
**A/C SERVICE DOOR HINGE**

- REMOVABLE HINGE
- CONTINUOUS HINGE

**A/C ADAPTOR PLATE**

- INSTALL A/C ADAPTOR PLATE
- NOT REQUIRED

# 36" H x 48" W x 36" D 2 DOOR DESIGN

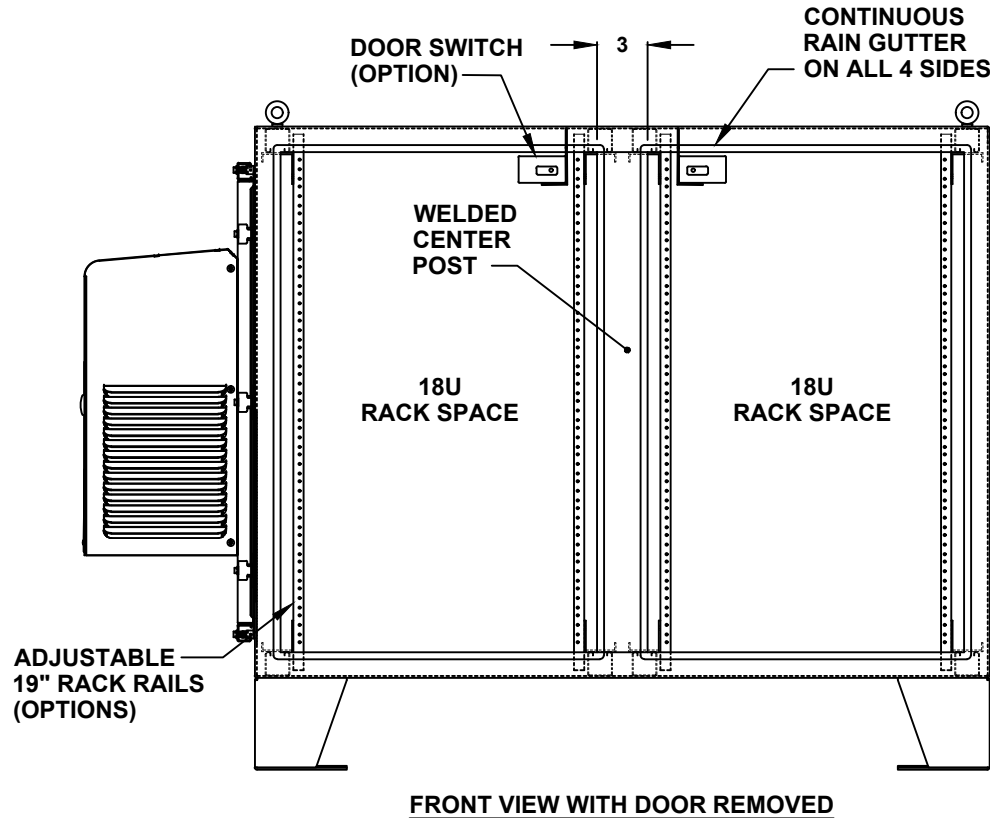


CROSS SECTION VIEW A-A

**36" H x 48" W x 36" D  
2 DOOR DESIGN**

RACK RAIL OPTIONS

- BLACK CLIP NUTS, #10-32, (100 EA.)
- #10/32 HIGH POINT SCREWS (100 EA.)
- M6 CAGE NUTS



DOOR OPTIONS

- DOOR SWITCH
- ELECTROMAGNETIC LOCK
- PRINT POCKET

CENTER POST

- WELDED (STANDARD)
- REMOVEABLE

RACK RAIL POST

- QTY 4 POST
- QTY 8 POST (REARDOOR REQUIRED)

RACK RAIL MATERIAL

- POWDER COATED STEEL (STANDARD)
- 304 STAINLESS STEEL

RACK RAIL MOUNTING HOLES

- #10-32 TAP (STANDARD)
- #1/4-20 TAP
- 3/8 SQUARE

RACK RAIL TYPE

- STANDARD GRADE
- HEAVY DUTY RAILS (OPTION)

RACK SHELVES (OPTION)

- STANDARD RACK SHELVES
- SLIDING RACK SHELVES
- RACK SHELF SUPPORT

RACK DRAWERS (OPTION)

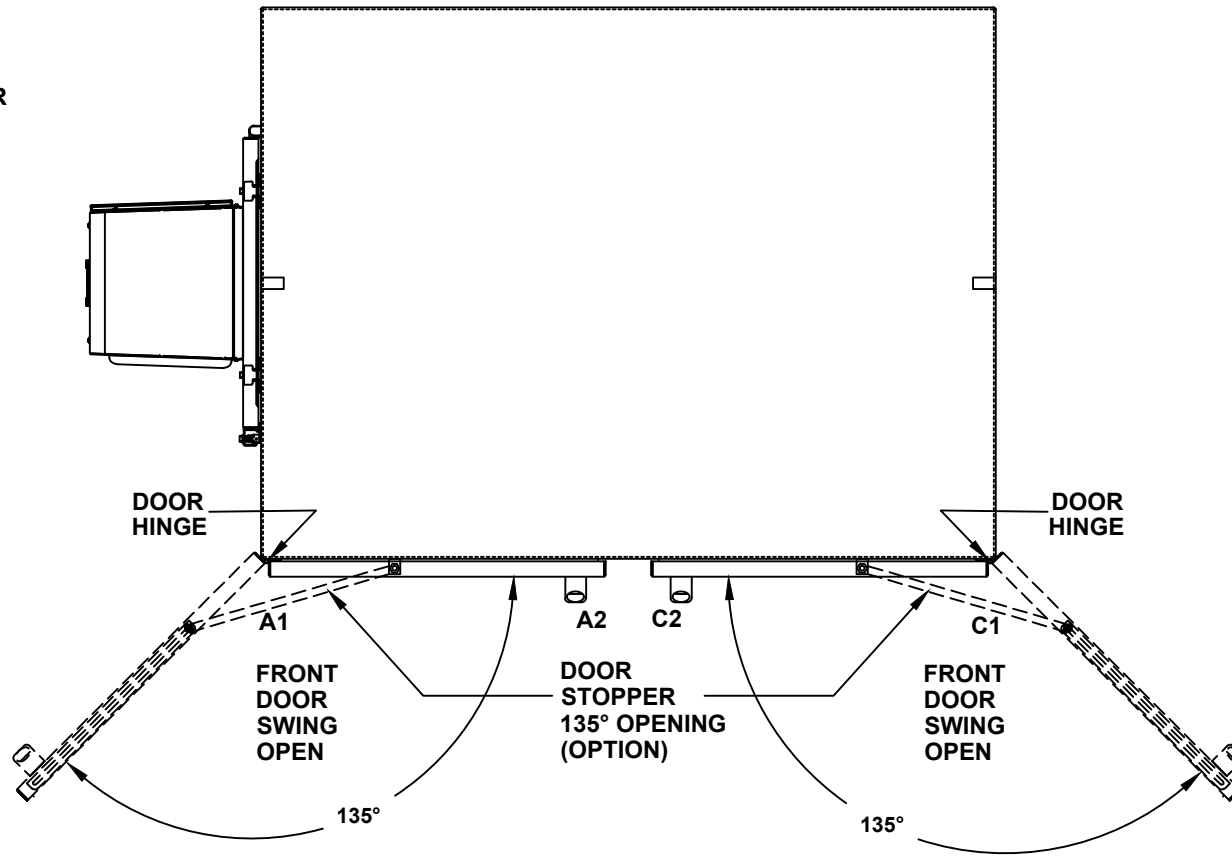
- RACK DRAWERS
- LAPTOP DRAWERS

OTHER OPTIONS

- 19" RACK COPPER BUSBAR
- VERTICAL RACK PDU

# 36" H x 48" W x 36" D 2 DOOR DESIGN

- DOOR STOPPER**
- INSTALL DOOR STOPPER
  - NOT REQUIRED



TOP VIEW

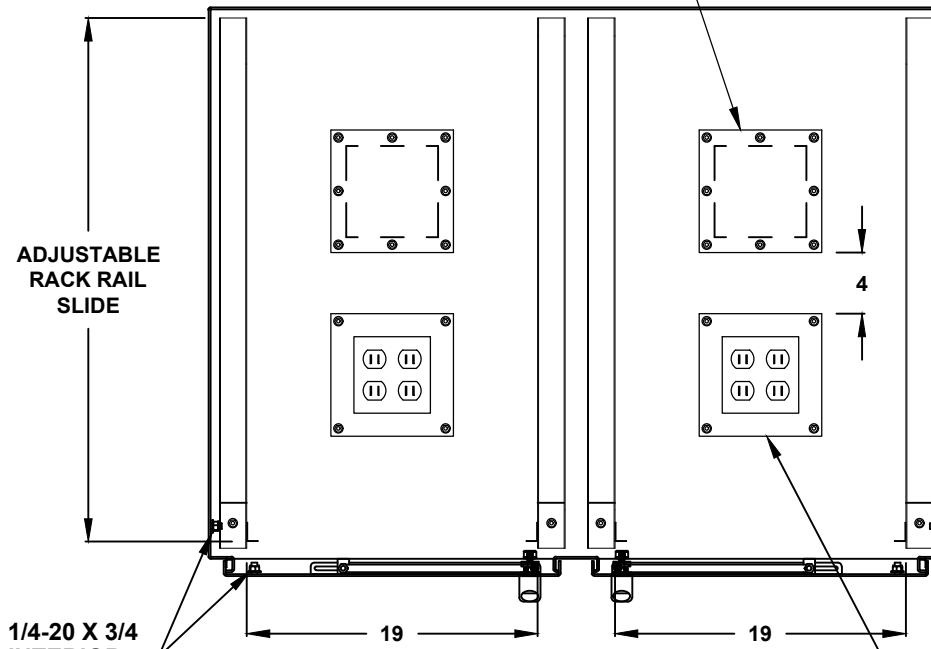
# 36" H x 48" W x 36" D 2 DOOR DESIGN

**BASE ACCESS COVER PLATE  
(OPTION)**

- 8x8 PLATE (6x6 CUT-OUT)
- 8x16 PLATE (6x14 CUT-OUT)
- 12x12 PLATE (10x10 CUT-OUT)
- 16x16 PLATE (14x14 CUT-OUT)

**SIDE ACCESS COVER PLATE MAT'L**

- POWDER COATED STEEL
- POWDER COATED ALUMINUM
- STAINLESS STEEL, 304



1/4-20 X 3/4  
INTERIOR  
GROUND STUDS

BONDING STRAPS

**CONDUIT/CABLE SEAL OPTIONS**

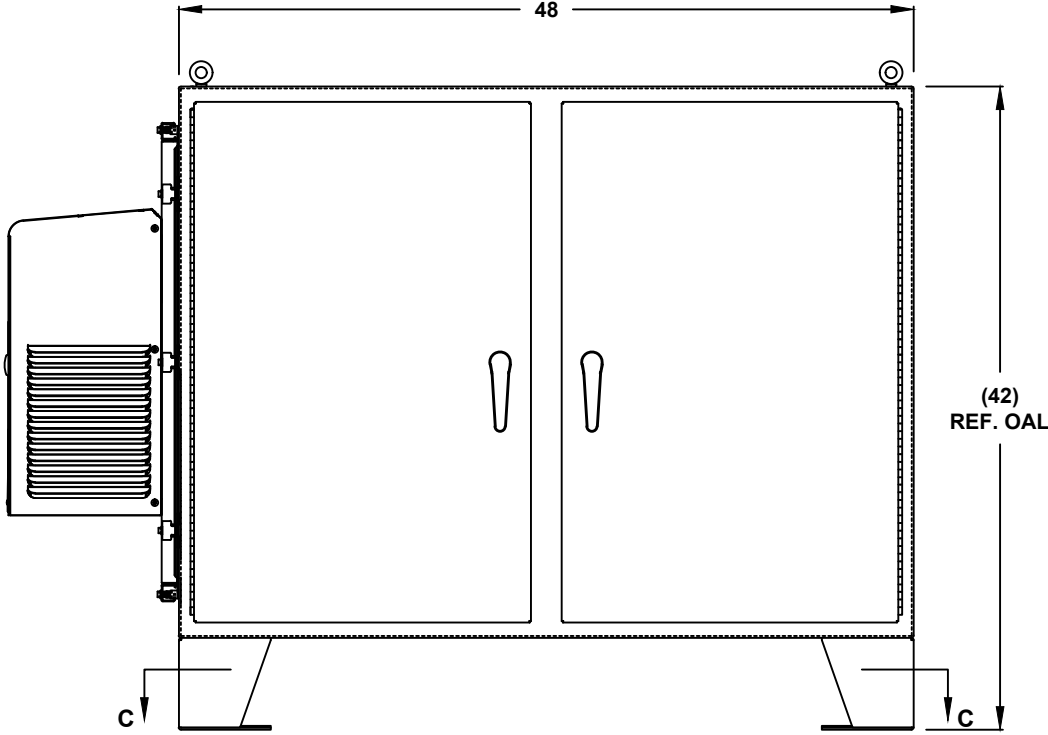
- ROXTEC SEAL SOLUTION
- PIPE FITTING HUB
- CABLE GLAND

**QUAD OUTLET BOX  
ON 8x8 PLATE (OPTION)**

- ADD QUAD BOX
- 15A 115V RECEPTACLE
- 20A 115V RECEPTACLE
- NOT REQUIRED

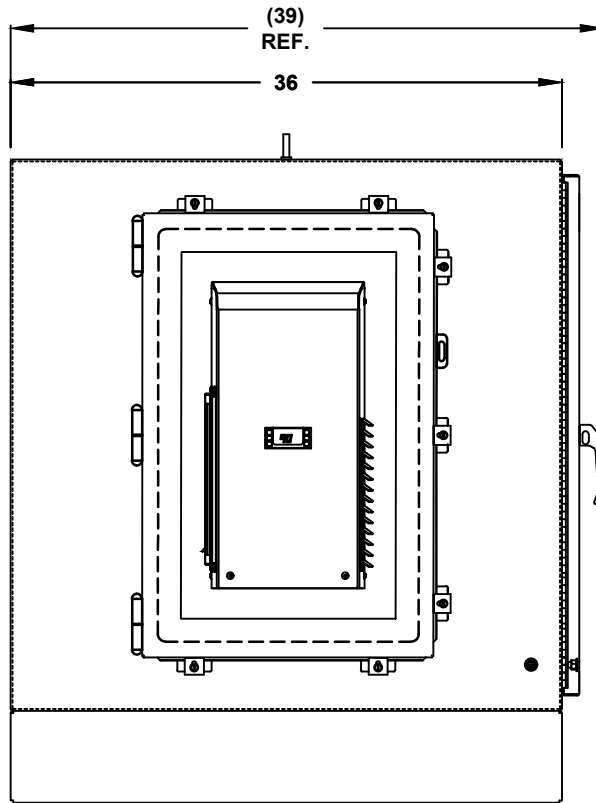
**TOP CROSS SECTION VIEW B-B**

**36" H x 48" W x 36" D**  
**2 DOOR DESIGN**

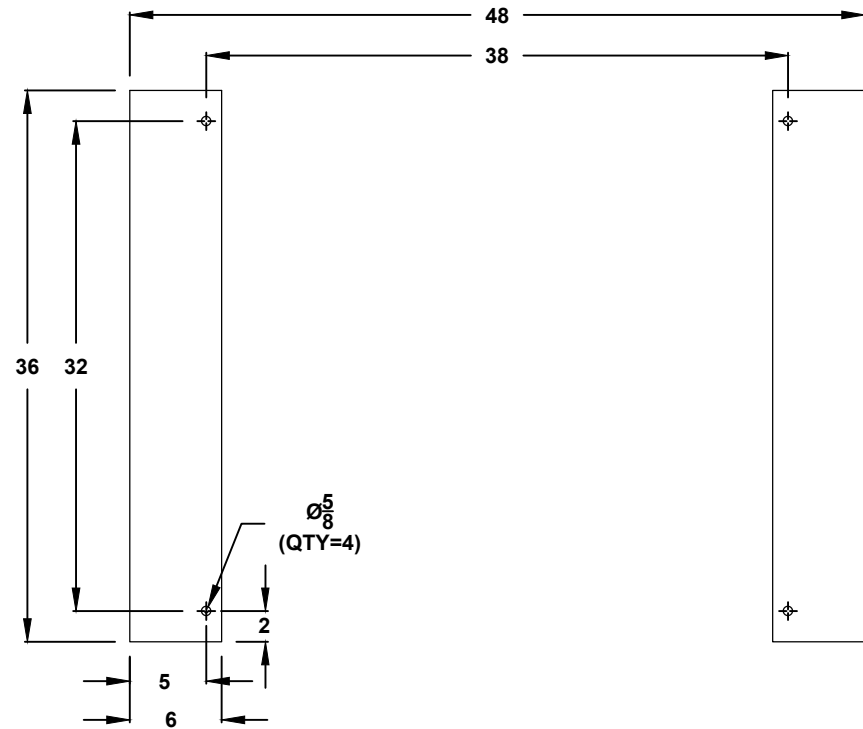


FRONT VIEW

# 36" H x 48" W x 36" D 2 DOOR DESIGN



LEFT SIDE



CROSS SECTION VIEW C-C  
MOUNTING HOLES